



Piezoelectric Accelerometer

FEATURES

- ▶ Extreme temperature capability
- ▶ Operational as loose part monitoring accelerometer
- ▶ Proven reliability
- ▶ Meets NRC guide 1.133, IEEE 323-1974. Qualified to DIN 25.475.1
- ▶ Integral case insulation
- ▶ Certified for use in potentially explosive atmospheres
- ▶ Frequency response:
3 Hz to 2 800 Hz
- ▶ Sensitivity:
10 pC/g
- ▶ Temperature range (operational):
-196°C to +700°C



DESCRIPTION

The use of VC2 type single crystal material in the CA 901 compression mode accelerometer provides an extremely stable instrument.

The transducer is designed for long-term monitoring

or development testing. It is fitted with an integral mineral insulated cable (twin conductors) which is terminated with a Lemo or a high-temperature connector from Vibro-Meter.



The information contained in this document may be subject to export control regulations of the European Community, USA or other countries. each recipient of this document is responsible for ensuring that the transfer or use of any information contained in this document complies with all relevant export control regulations. ECN N/A.

SPECIFICATIONS

GENERAL

Input power requirements	: None
Signal transmission	: 2 pole system insulated from casing, charge output
Signal processing	: Charge converter

OPERATING

(at +23°C ±5°C)

Sensitivity (at 120 Hz)	: 10 pC/g ±5%
Dynamic measuring range (random)	: 0.001 g to 200 g peak
Overload capacity (spikes)	: Up to 500 g peak
Linearity	: ±1% over dynamic measuring range
Transverse sensitivity	: < 5%
Resonance frequency (mounted)	: > 17 kHz nominal
Frequency response	
• 3 to 2800 Hz nominal	: ±5% (lower cutoff frequency is determined by the electronics used)
• 2800 to 3700 Hz	: < 10%
Internal insulation resistance	: Min. 10 ⁹ Ω
Capacitance (nominal)	
• Pole to pole	: 80 pF for transducer + 200 pF/m of cable
• Pole to casing	: 18 pF for transducer + 300 pF/m of cable

ENVIRONMENTAL

Temperature range	
• Continuous	: -54°C to +650°C
• Extreme	: -196°C to +700°C
Shock acceleration	: < 500 g peak (half sine 1 ms) along sensitive axis
Pressure	: 140 bar 23°C, 80 bar 300°C
Corrosion, humidity	: Inconel 600, hermetically welded
Radiations	
• Gamma flux	: 10 ¹¹ erg/g no effect
• Neutron flux	: 10 ¹⁸ n/cm ² no effect
Mounting inside tube	: 4 Allen screws M6, fastening torque 15 Nm
Use in explosive atmospheres:	
• EC type examination certificate	: LCIE 08 ATEX 6017 X II 1 G (Zones 0, 1, 2) Ex ia IIC T6 to T710

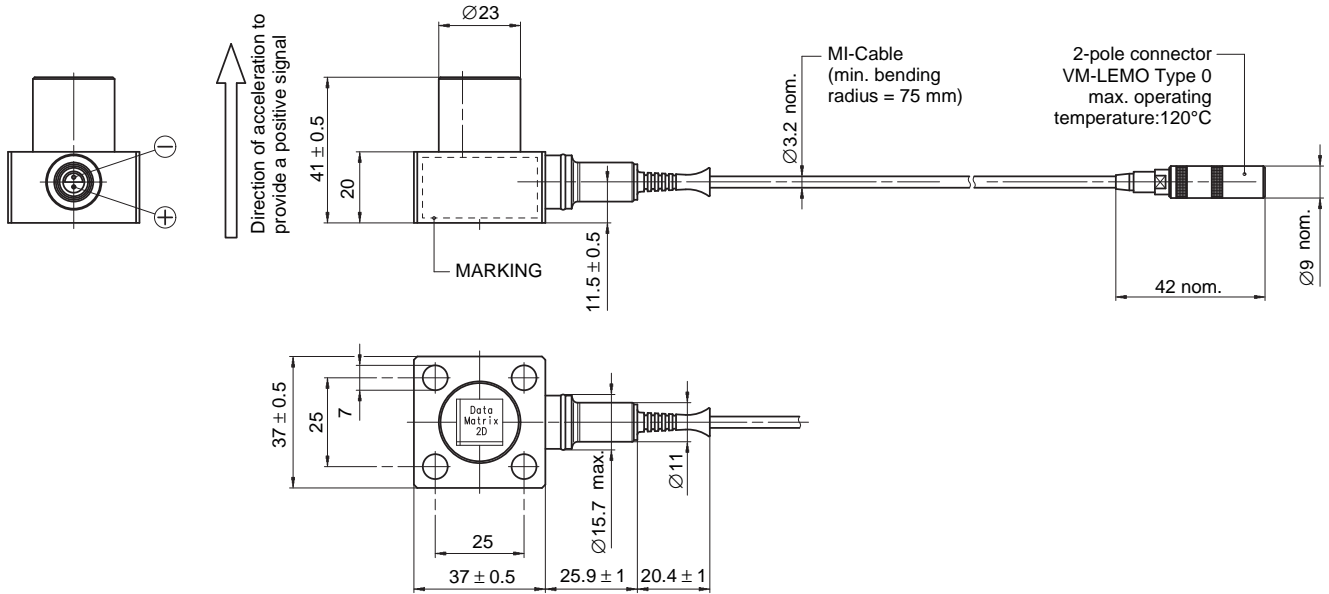


For specific parameters of the mode of protection concerned and special conditions for safe use, please refer to the "EC type examination certificate" that is available from Vibro-Meter SA on demand.

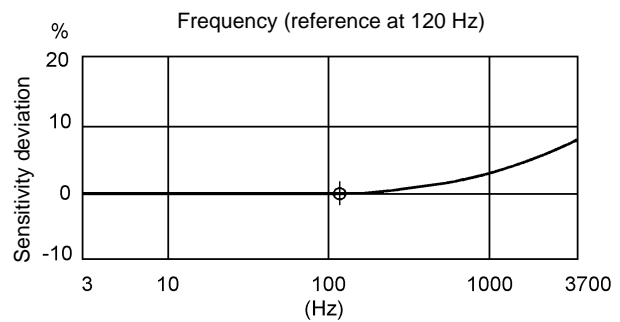
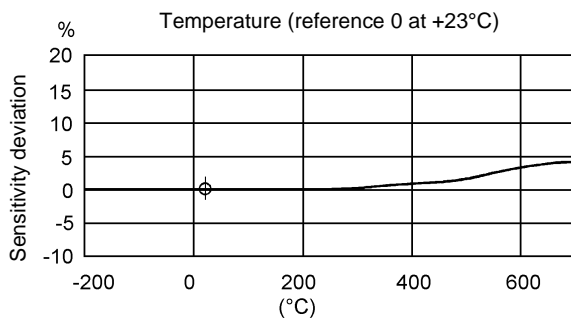
CALIBRATION

Dynamic calibration at factory at 5 g peak and 120 Hz (+23°C). No subsequent calibration necessary.

MECHANICAL DIAGRAM



TYPICAL RESPONSES



ORDERING INFORMATION

To order please specify :

Type	Version	Ordering Number	
CA 901	Standard	144-901-000-2	VM Lemo connector
		XX	
		82	: cable length 3.5 m
		12	: cable length 5 m
		52	: cable length 8 m
		22	: cable length 12.5 m
	Ex	144-901-000-601	: cable length 5 m



All statements, technical information, drawings, performance rates and descriptions in this document, whilst stated in good faith, are issued for the sole purpose of giving an approximate indication of the products described in them, and are not binding on Vibro-Meter SA unless expressly agreed in writing. Before acquiring this product, you must evaluate it and determine if it is suitable for your intended application. Unless otherwise expressly agreed in writing with Vibro-Meter, you assume all risks and liability associated with its use. Any recommendations and advice given without charge, whilst given in good faith, are not binding on Vibro-Meter.

Vibro-Meter takes no responsibility for any statements related to the product which are not contained in a current Vibro-Meter publication, nor for any statements contained in extracts, summaries, translations or any other documents not authored by Vibro-Meter. We reserve the right to alter any part of this publication without prior notice.

In this publication, a dot (.) is used as the decimal separator and thousands are separated by spaces. Example : 12 345.678 90.

Sales offices

Vibro-Meter has offices in more than 30 countries. For a complete list, please visit our website.

Your local agent

Head office

Vibro-Meter SA
Rte de Moncor 4
P.O. Box
CH-1701 Fribourg
Switzerland

Tel: +41 26 407 11 11
Fax: +41 26 407 13 01



www.vibro-meter.com

